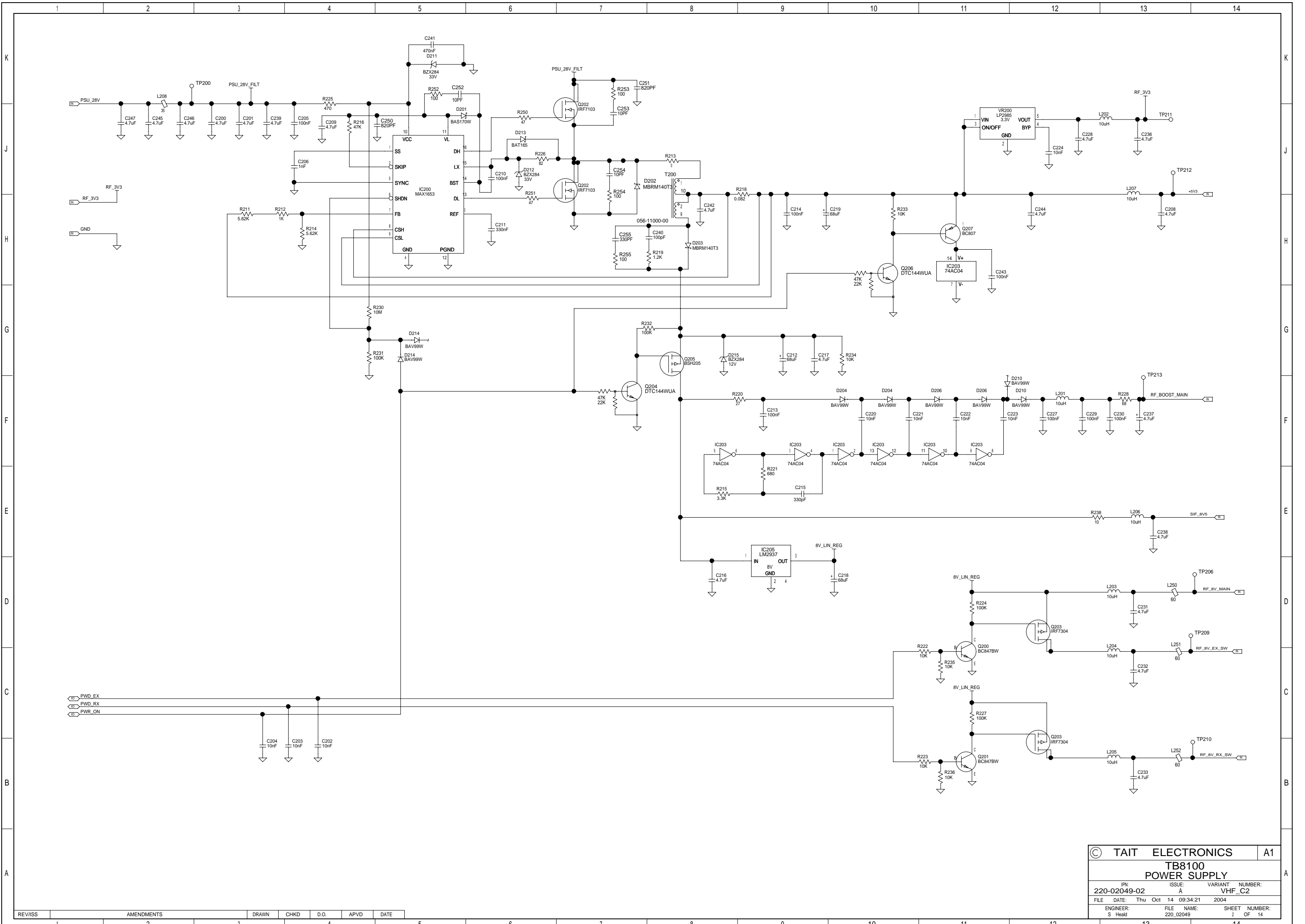
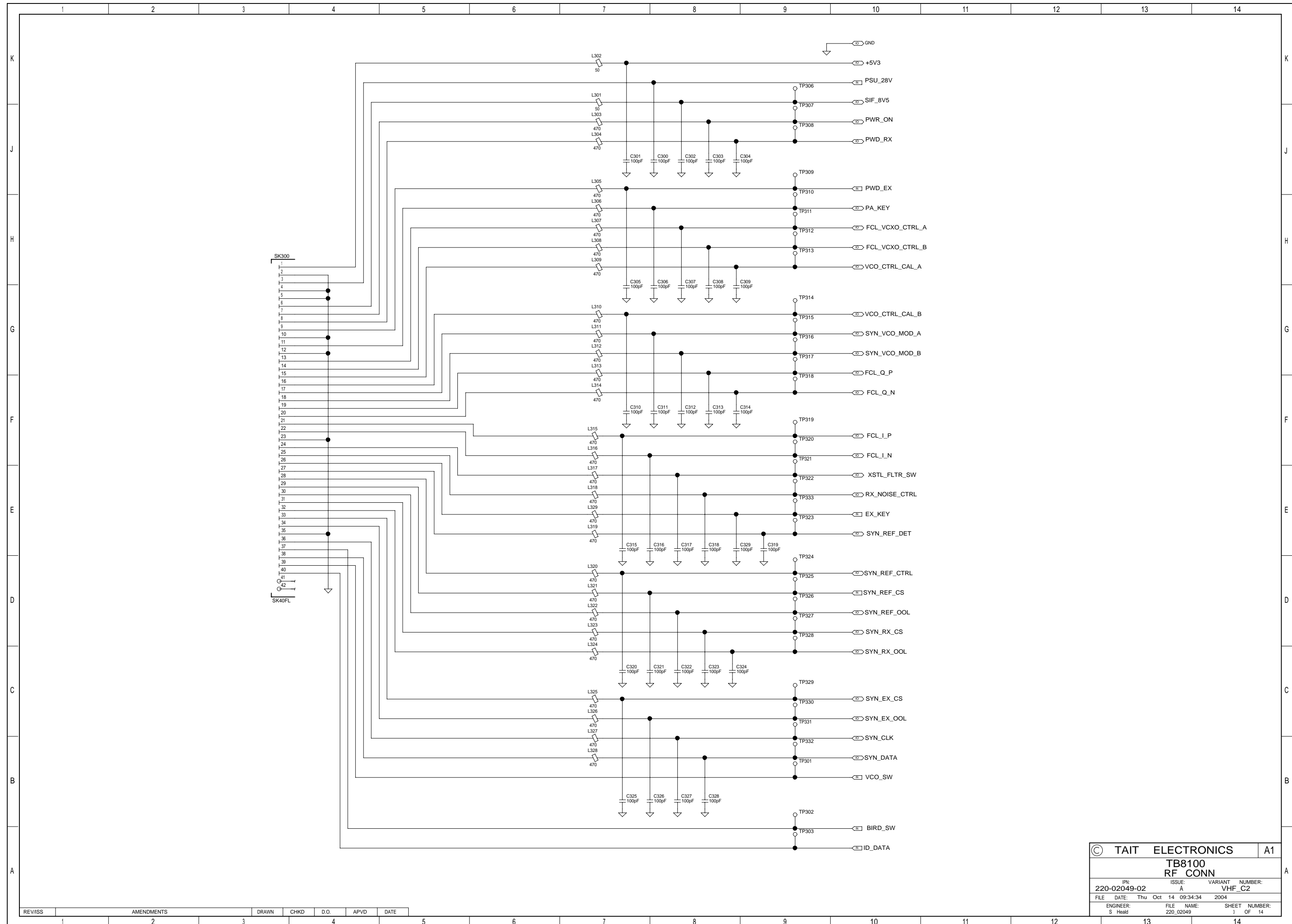


02A	DCO 02049-001	UPDATE FOR D3 PERFORMANCE	CJK	SH	CJK	SH	05OCT04
01A	INITIAL	DESIGN	MODIFIED	FORM 226-00297-02	CJK	SH	16/06/04
REVISS	AMENDMENTS		DRAWN	CHKD	D.O.	APVD	DATE

© TAIT ELECTRONICS		A1
TB8100		
VHF RECITER RF TOP LEVEL		
IPN:	ISSUE:	VARIANT NUMBER:
220-02049-02	A	VHF_C2
FILE DATE:	Thu Oct 14 09:34:02 2004	
ENGINEER:	FILE NAME:	SHEET NUMBER:
S Heald	220_02049	1 OF 14

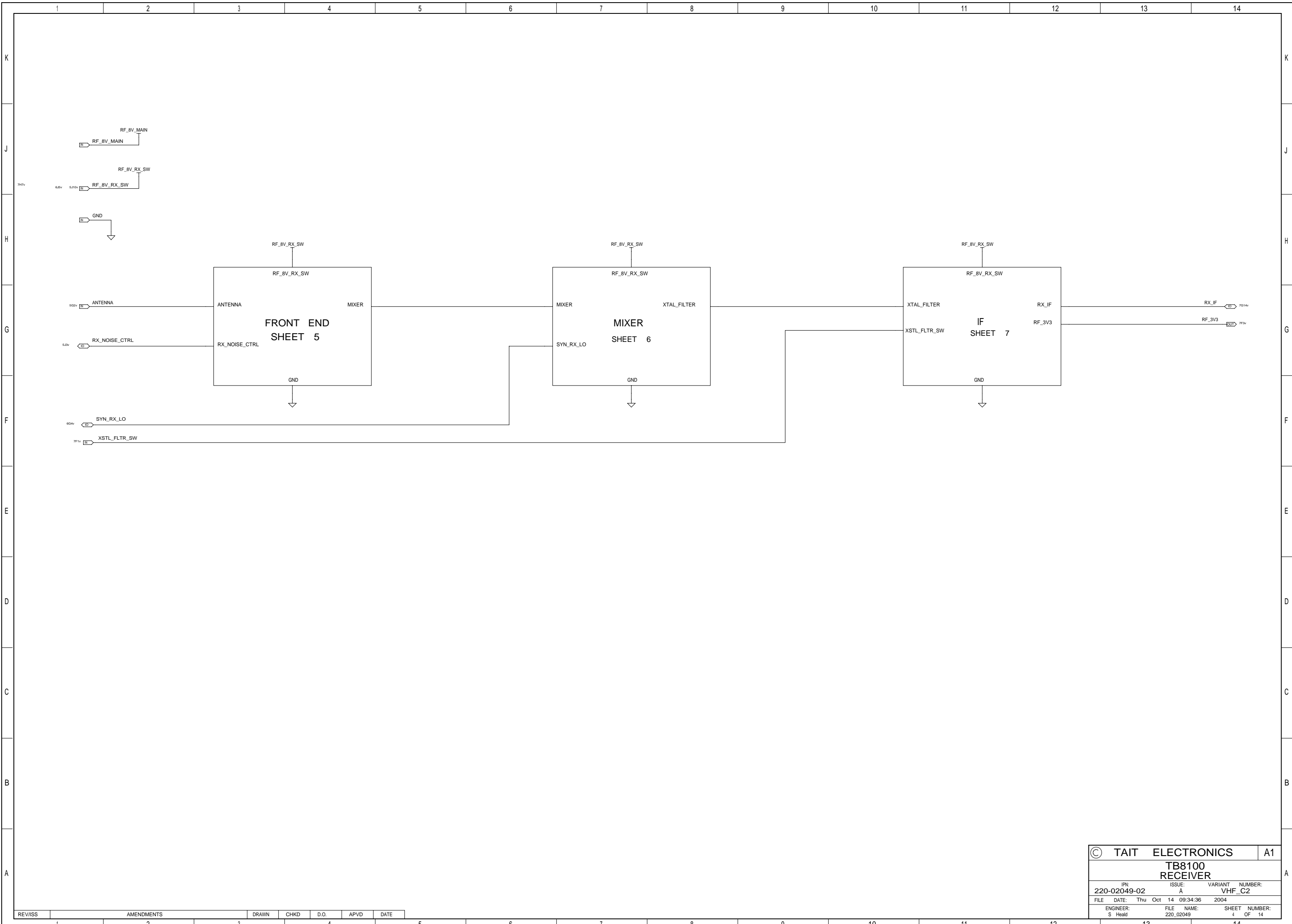


© TAIT ELECTRONICS		A1
TB8100 POWER SUPPLY		
IPN: 220-02049-02	ISSUE: A	VARIANT NUMBER: VHF_C2
FILE DATE: Thu Oct 14 09:34:21 2004	ENGINEER: S Heald	FILE NAME: 220_02049
REVISIONS	AMENDMENTS	DRAWN
CHKD	D.O.	APVD
DATE		
1	2	3
4	5	6
7	8	9
10	11	12
13	14	



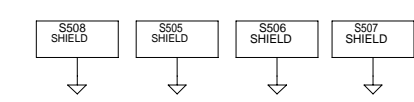
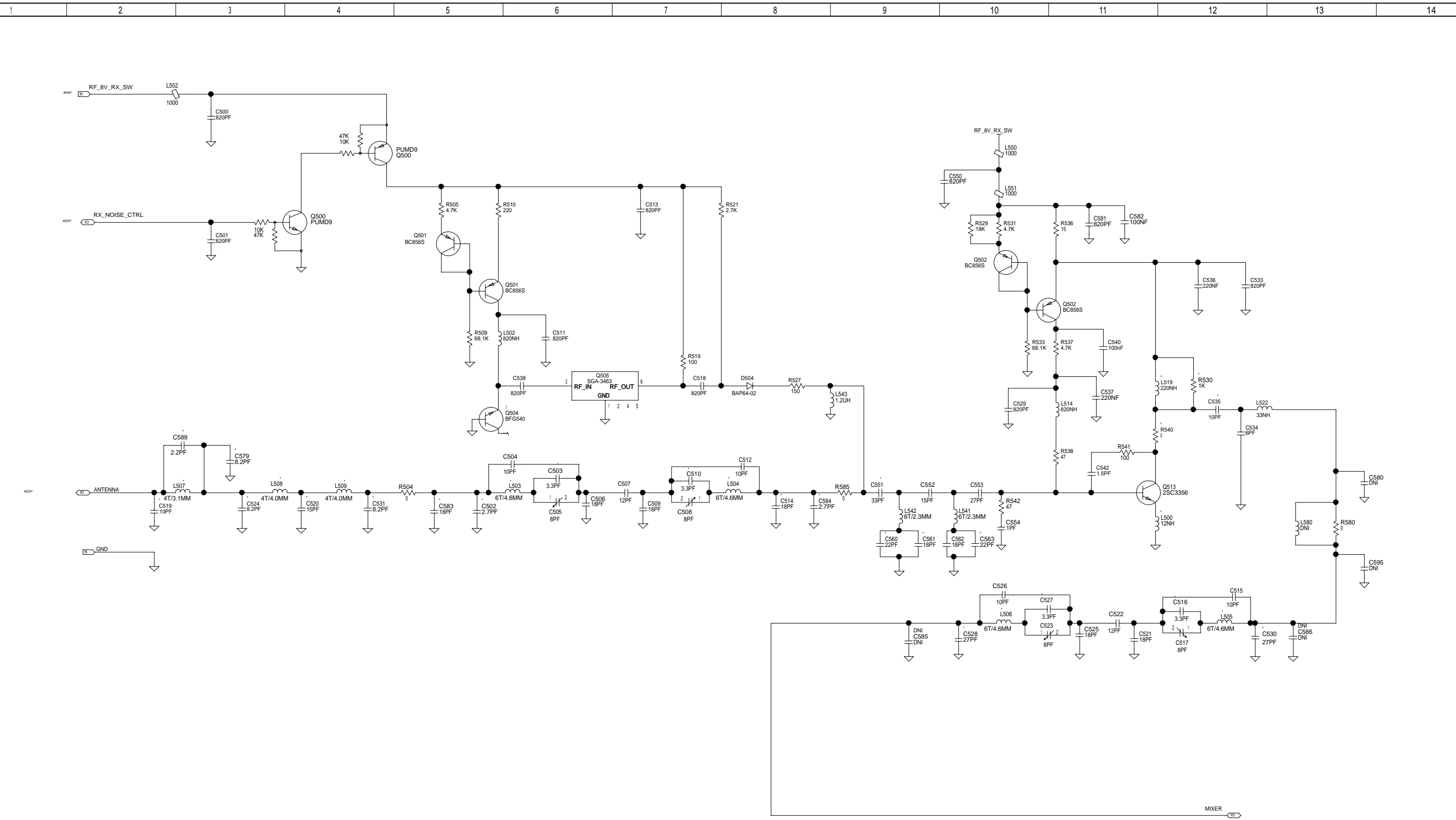
© TAIT ELECTRONICS		A1
TB8100		
RF CONN		
IPN:	ISSUE:	VARIANT NUMBER:
220-02049-02	A	VHF_C2
FILE DATE:	Thu Oct 14 09:34:34 2004	
ENGINEER:	FILE NAME:	SHEET NUMBER:
S Heald	220_02049	3 OF 14

REV/ISS	AMENDMENTS	DRAWN	CHKD	D.O.	APVD	DATE
1						



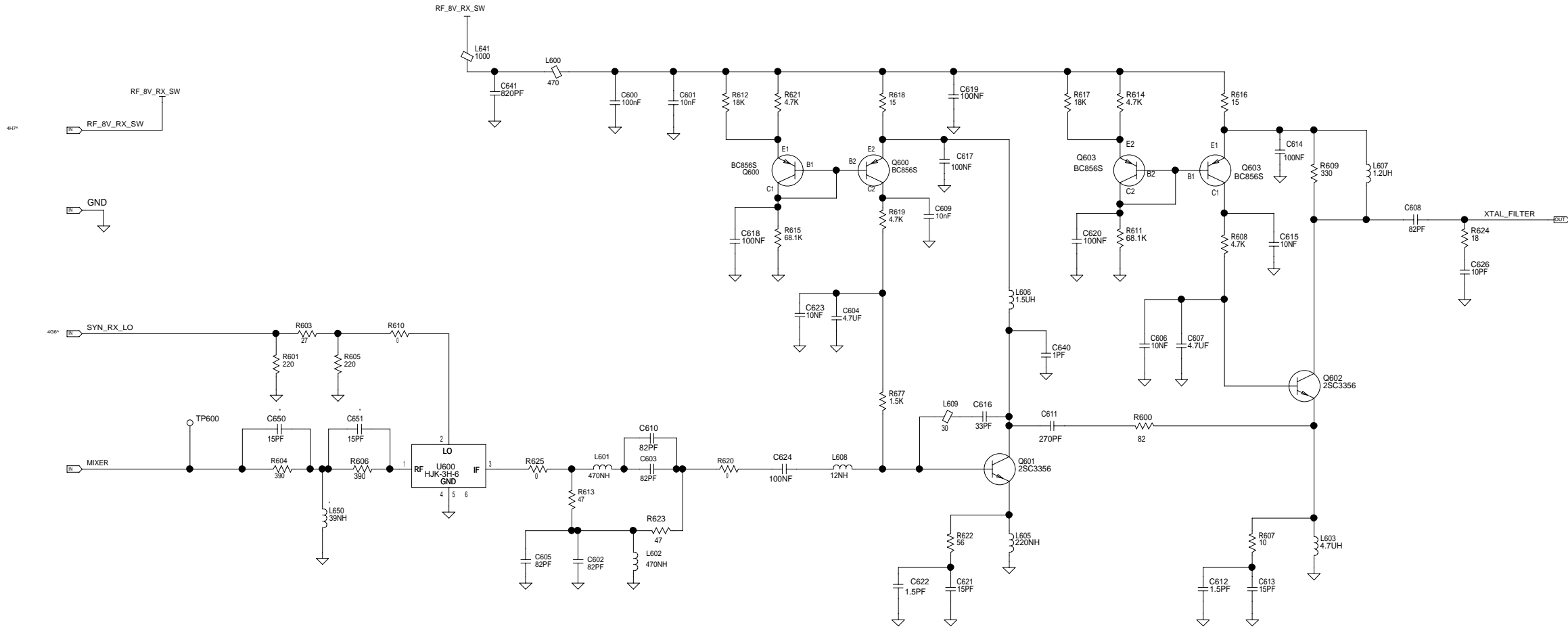
© TAIT ELECTRONICS		A1
TB8100 RECEIVER		
IPN: 220-02049-02	ISSUE: A	VARIANT NUMBER: VHF_C2
FILE DATE: Thu Oct 14 09:34:36 2004		
ENGINEER: S Heald	FILE NAME: 220_02049	SHEET NUMBER: 4 OF 14

REV/ISS	AMENDMENTS	DRAWN	CHKD	D.O.	APVD	DATE
1						
2						
3						
4						
5						
6						
7						
8						
9						
10						
11						
12						
13						
14						



© TAIT ELECTRONICS		A1
TB8100 FRONT END		
IPN: 220-02049-02	ISSUE: A	VARIANT NUMBER: VHF_C2
FILE DATE: Thu Oct 14 09:35:04	2004	
ENGINEER: S Heald	FILE NAME: 220_02049	SHEET NUMBER: 5 OF 14

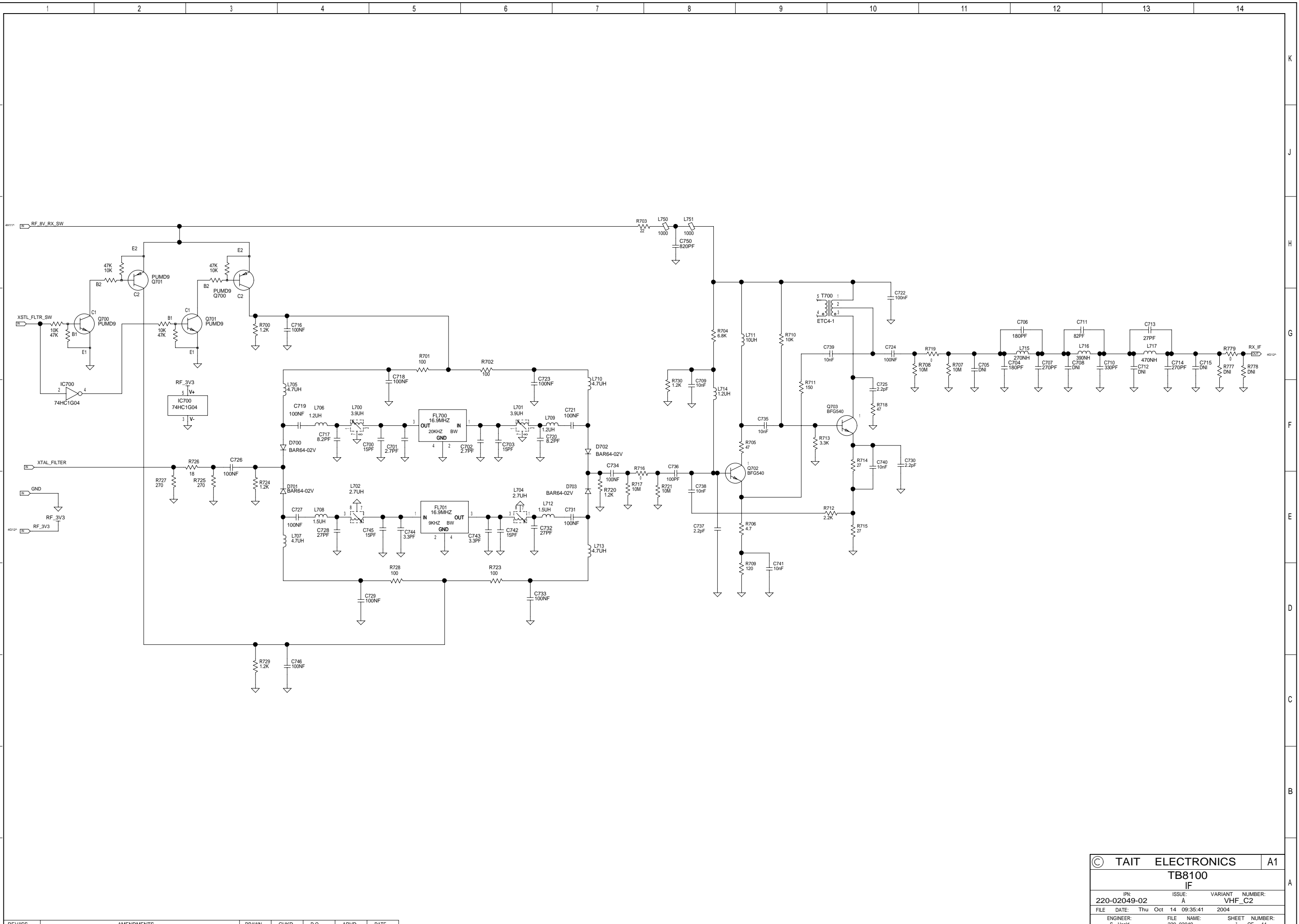
REV/ISS	AMENDMENTS	DRAWN	CHKD	D.O.	APVD	DATE
1						



S605
SHIELD

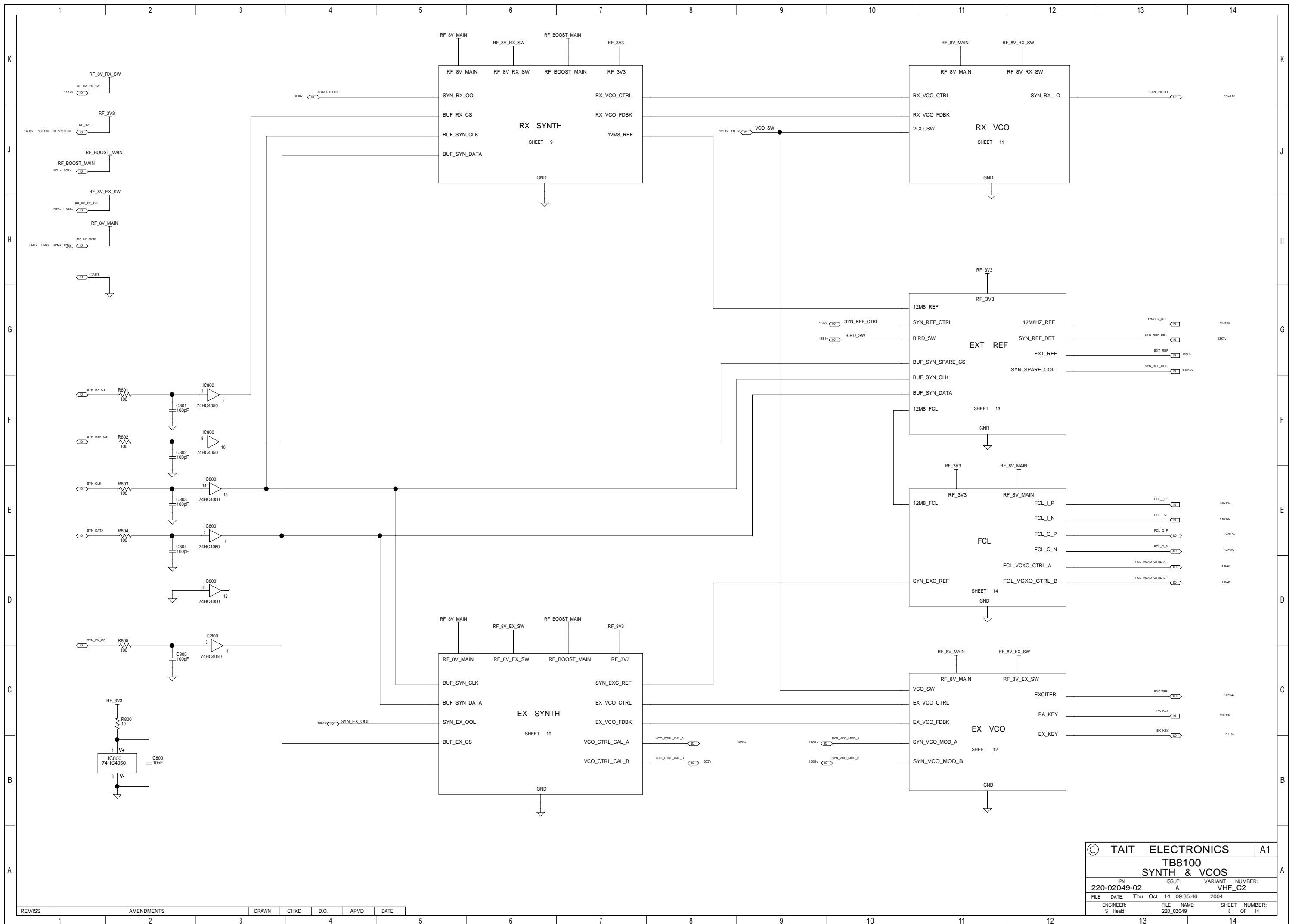
© TAIT ELECTRONICS		A1
TB8100 MIXER		
IPN: 220-02049-02	ISSUE: A	VARIANT NUMBER: VHF_C2
FILE DATE: Thu Oct 14 09:35:24 2004	FILE NAME: 220_02049	SHEET NUMBER: 6 OF 14
ENGINEER: S Heald		

REV/ISS	AMENDMENTS	DRAWN	CHKD	D.O.	APVD	DATE
1						
2						
3						
4						
5						
6						
7						
8						
9						
10						
11						
12						
13						
14						

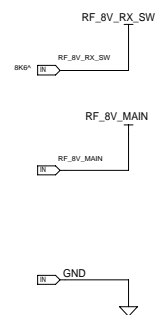
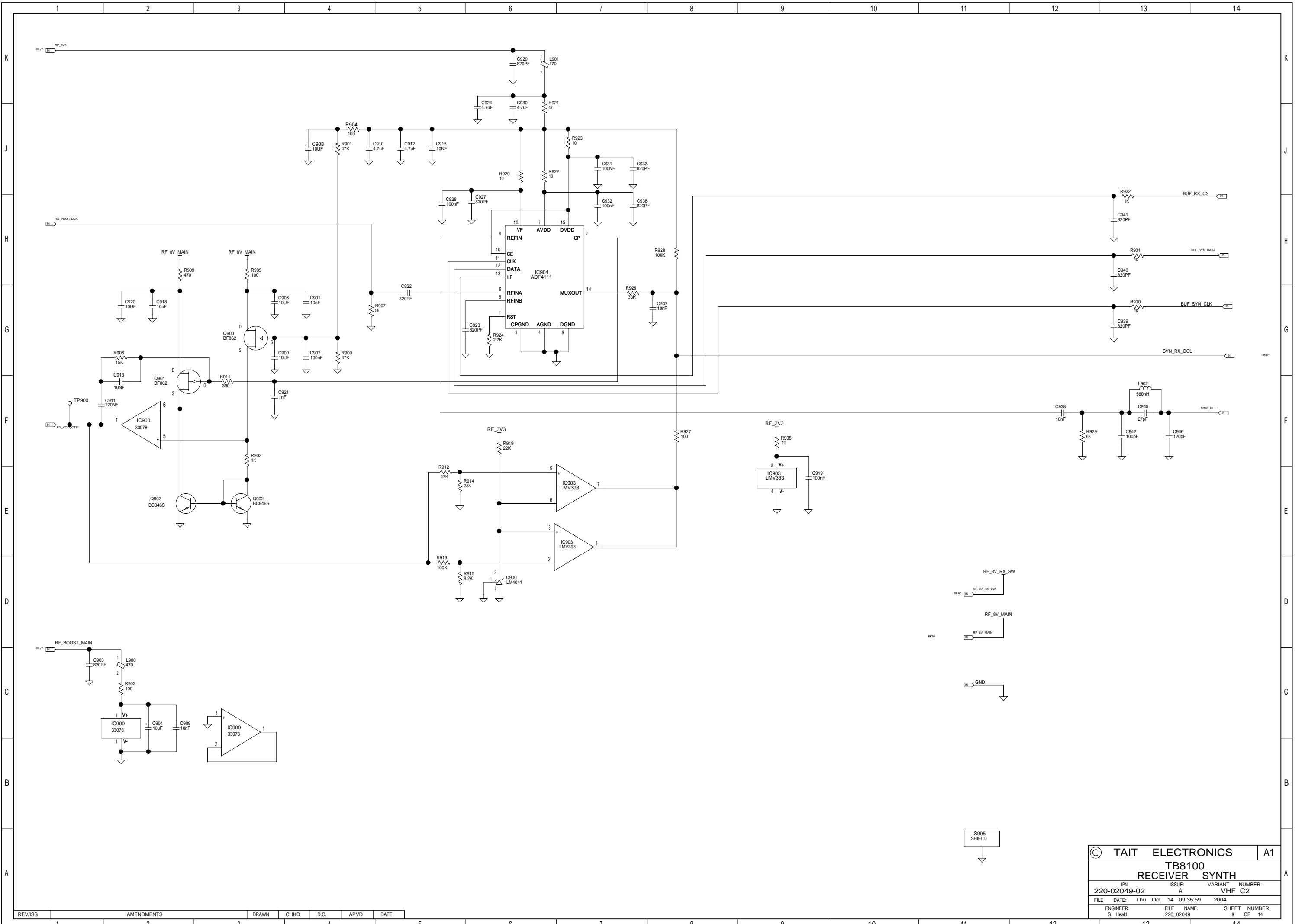


© TAIT ELECTRONICS		A1
TB8100		
IF		
IPN:	ISSUE:	VARIANT NUMBER:
220-02049-02	A	VHF_C2
FILE DATE:	Thu Oct 14 09:35:41 2004	
ENGINEER:	FILE NAME:	SHEET NUMBER:
S Heald	220_02049	7 OF 14

REV/ISS	AMENDMENTS	DRAWN	CHKD	D.O.	APVD	DATE
1						

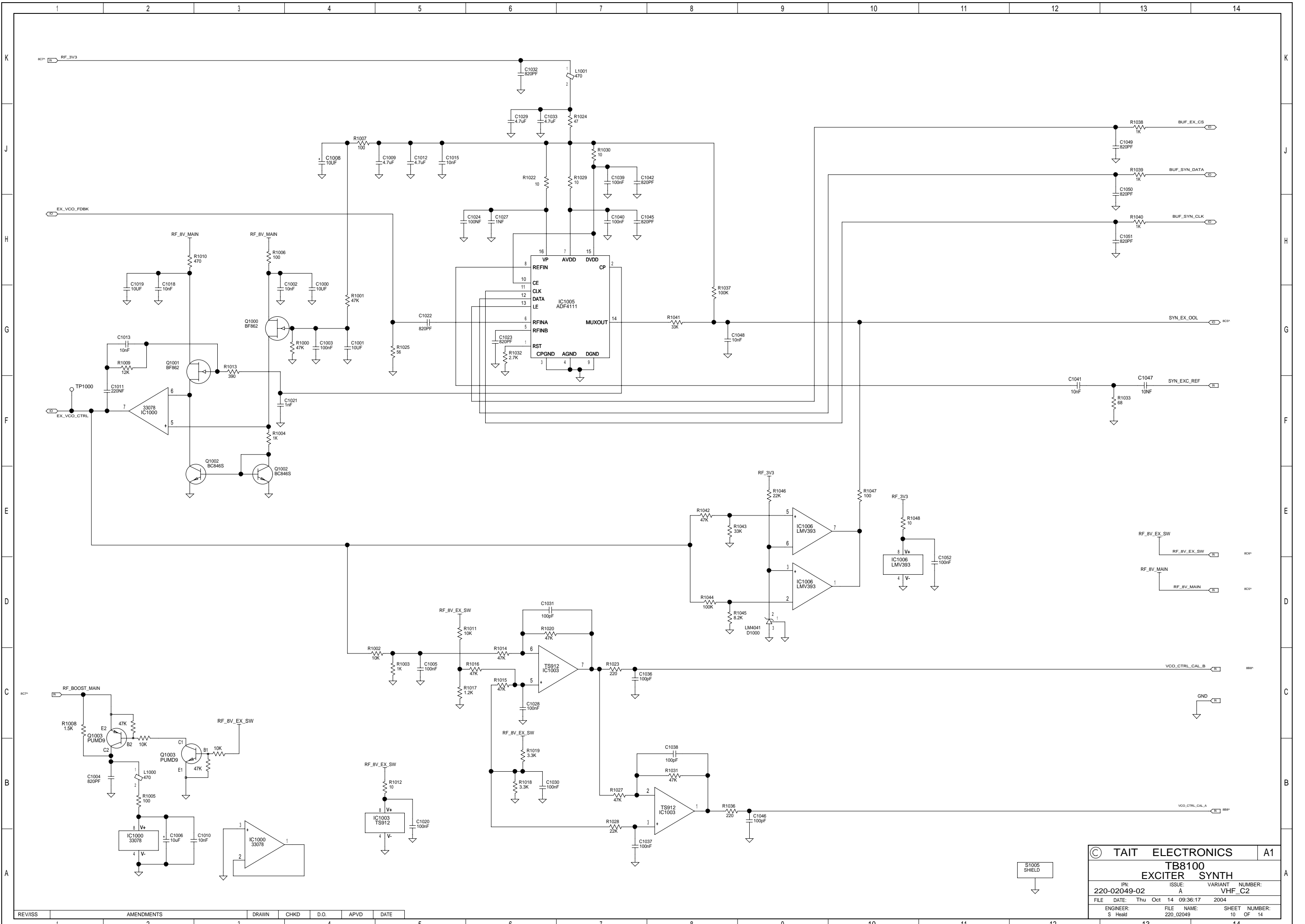


© TAIT ELECTRONICS		A1											
TB8100 SYNTH & VCOS													
IPN: 220-02049-02	ISSUE: A	VARIANT NUMBER: VHF_C2											
FILE DATE: Thu Oct 14 09:35:46 2004	ENGINEER: S Heald	FILE NAME: 220_02049											
REVISS	AMENDMENTS	DRAWN CHKD D.O. APVD DATE											
1	2	3	4	5	6	7	8	9	10	11	12	13	14



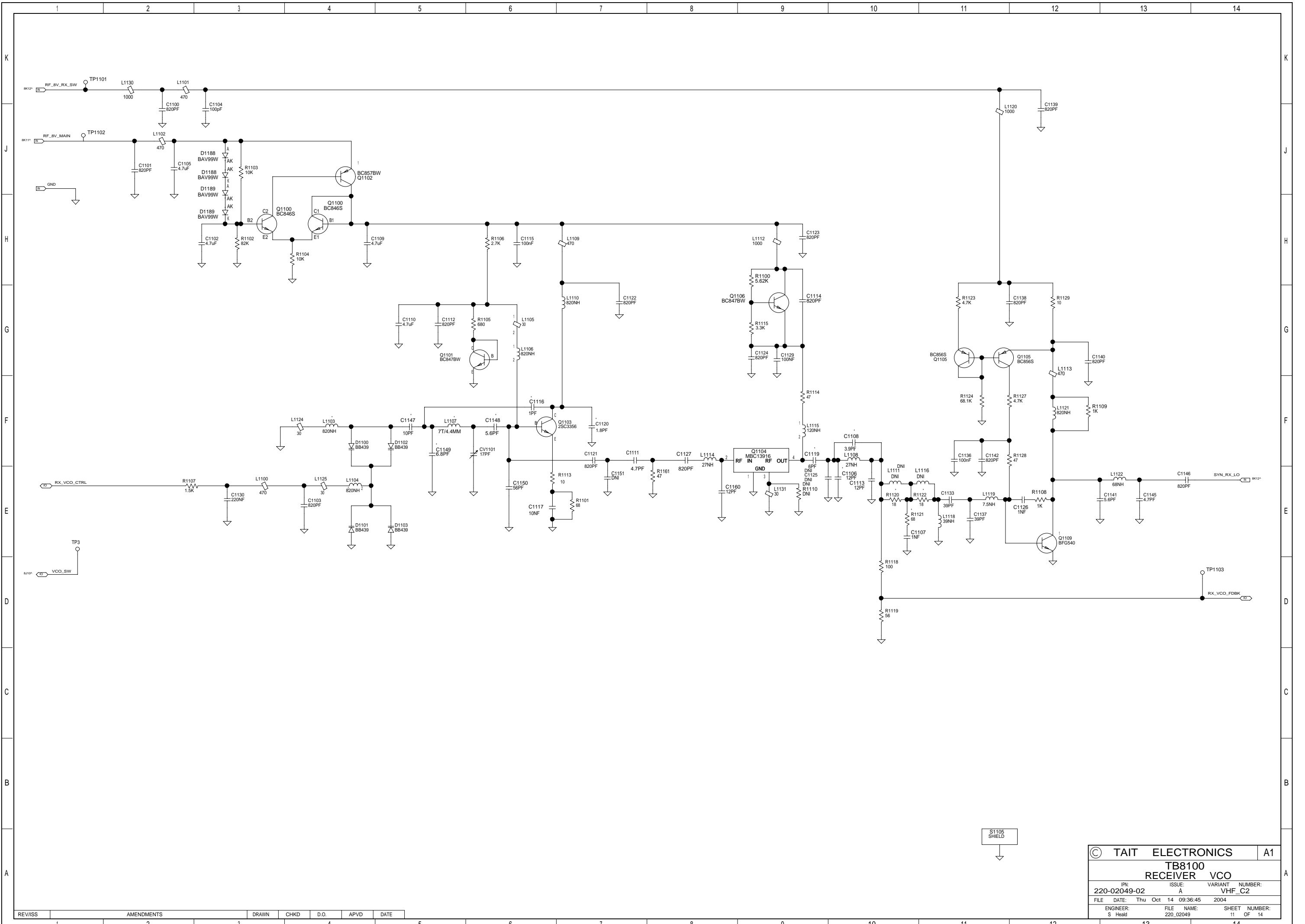
© TAIT ELECTRONICS		A1
TB8100		
RECEIVER SYNTH		
IPN: 220-02049-02	ISSUE: A	VARIANT NUMBER: VHF_C2
FILE DATE: Thu Oct 14 09:35:59 2004	FILE NAME: 220_02049	SHEET NUMBER: 9 OF 14
ENGINEER: S Heald		

REV/ISS	AMENDMENTS	DRAWN	CHKD	D.O.	APVD	DATE
1						



© TAIT ELECTRONICS		A1
TB8100 EXCITER SYNTH		
IPN: 220-02049-02	ISSUE: A	VARIANT NUMBER: VHF_C2
FILE DATE: Thu Oct 14 09:36:17 2004	ENGINEER: S Head	FILE NAME: 220_02049
		SHEET NUMBER: 10 OF 14

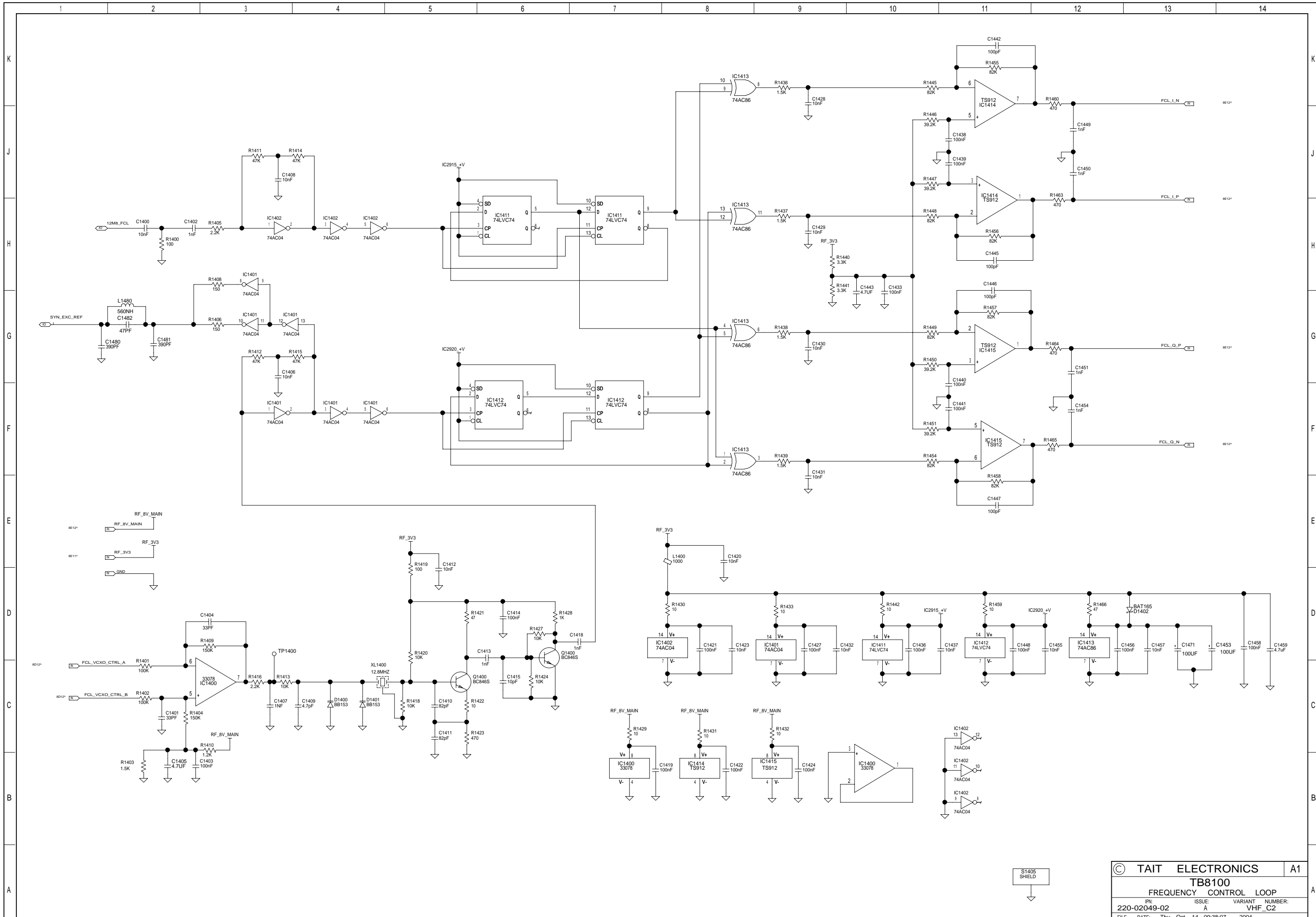
REV/ISS	AMENDMENTS	DRAWN	CHKD	D.O.	APVD	DATE
1						
2						
3						
4						
5						
6						
7						
8						
9						
10						
11						
12						
13						
14						



S1105 SHIELD

© TAIT ELECTRONICS		A1
TB8100		
RECEIVER VCO		
IPN: 220-02049-02	ISSUE: A	VARIANT NUMBER: VHF_C2
FILE DATE: Thu Oct 14 09:36:45 2004	ENGINEER: S Heald	FILE NAME: 220_02049
		SHEET NUMBER: 11 OF 14

REV/ISS	AMENDMENTS	DRAWN	CHKD	D.O.	APVD	DATE
1						



© TAIT ELECTRONICS		A1
TB8100		
FREQUENCY CONTROL LOOP		
IPN:	ISSUE:	VARIANT NUMBER:
220-02049-02	A	VHF_C2
FILE DATE:	Thu Oct 14 09:38:07	2004
ENGINEER:	FILE NAME:	SHEET NUMBER:
S Heald	220_02049	14 OF 14

REV/ISS	AMENDMENTS	DRAWN	CHKD	D.O.	APVD	DATE
1						
2						
3						
4						
5						
6						
7						
8						
9						
10						
11						
12						
13						
14						